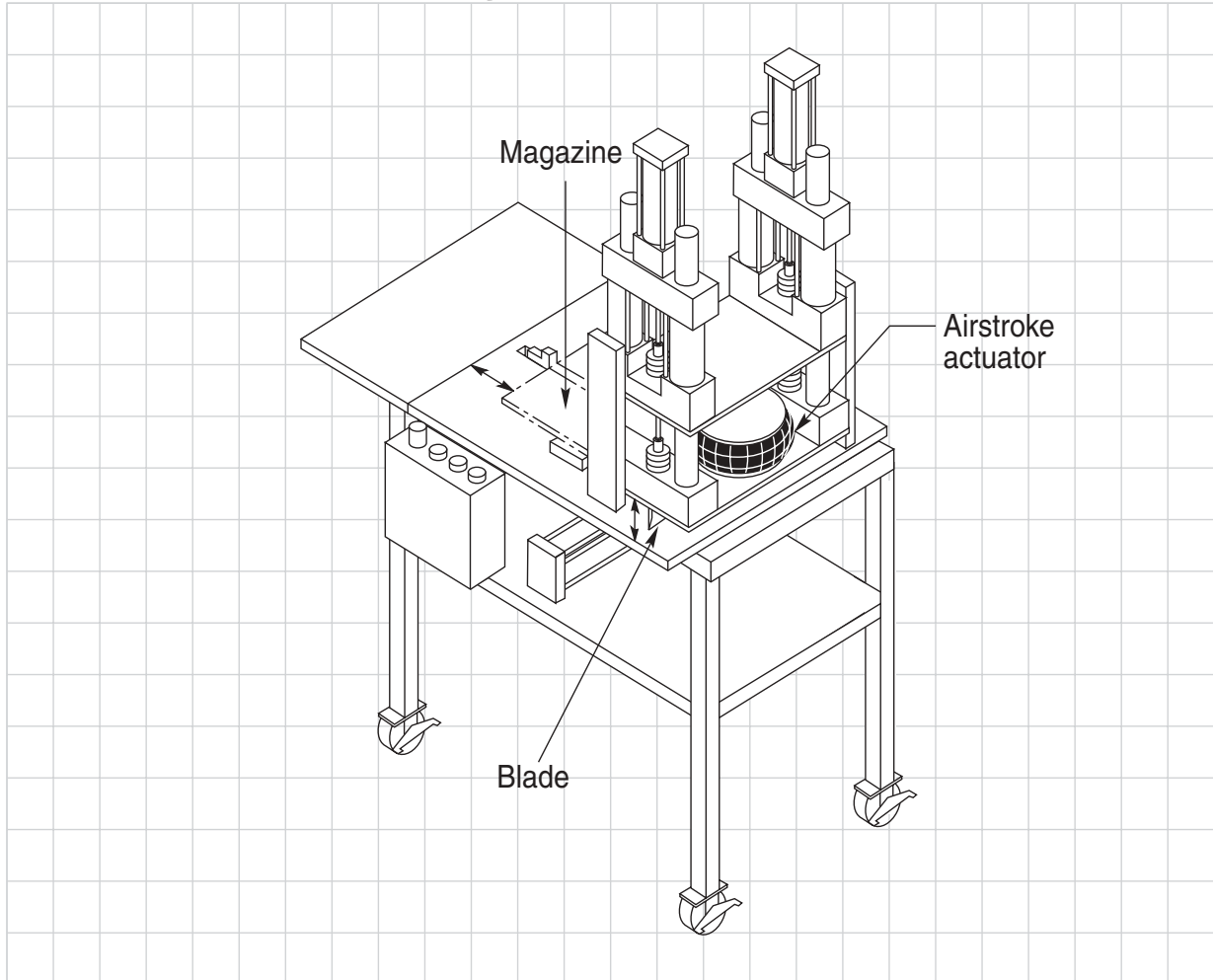


### Perfect Bound Magazine Cutter



#### **Problem**

Magazines with the glue joint attached could not be recycled. A system was needed to remove the glue joint quickly, and in high volume.

#### **Solution**

A magazine is moved into position under a blade. An Airstroke actuator extends to move the blade, cutting off the glue joint.

#### **Benefit**

The actuator allows for rapid downward motion and return without the expense of a hydraulic system. With the Airstroke actuator, the machine can average 1200 magazines per hour.

