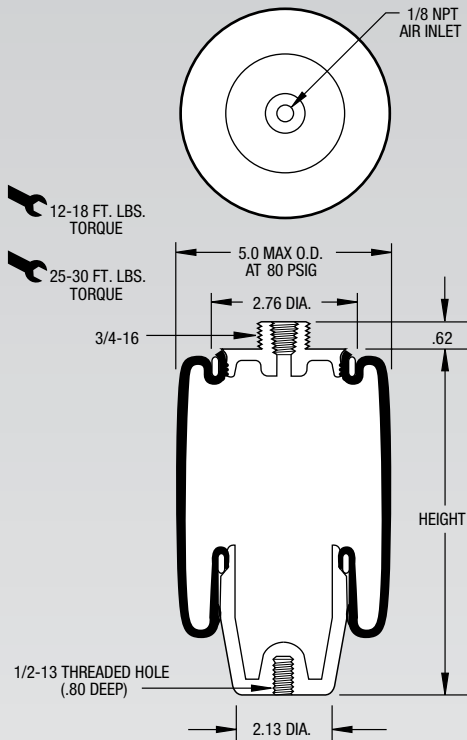


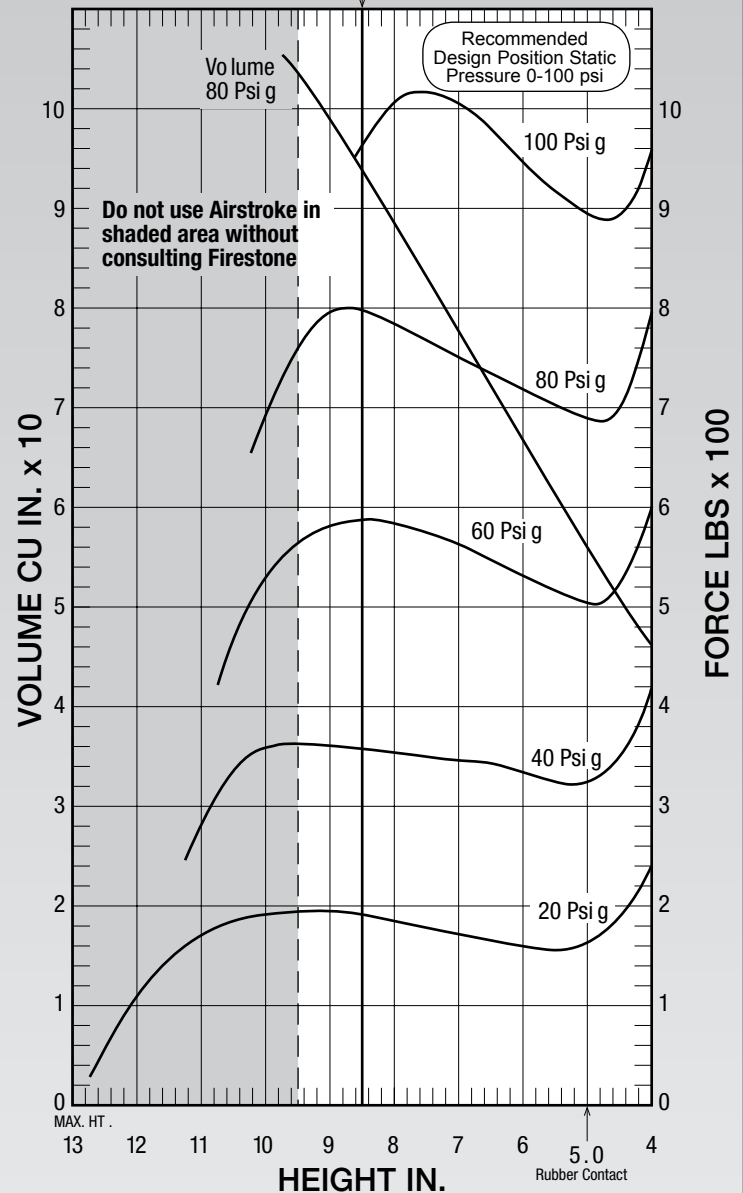
Description		Assembly Order No.
Style 7012	Blind nut, 1/8 NPT	W02-358-7012
Two Ply Bellows		
Assembly weight		1.8 lbs.



NOTE: Bellows will not compress properly with less than 10 PSIG internal pressure.

CONSULT FIRESTONE BEFORE USING AS AIRMOUNT

RECOMMENDED AIRMOUNT DESIGN HEIGHT 8.5 INCHES



See page 12 for instructions on how to use chart.

Dynamic Characteristics at 8.5 in. Design Height (Required for Airmount isolator design only)				
Volume @ 80 PSIG = 93 in ³			Natural Frequency	
Gage Pressure (PSIG)	Load (lbs.)	Spring Rate (lbs./in.)	CPM	HZ
40	360	69	82	1.37
60	590	115	83	1.38
80	800	131	76	1.27
100	1,000	184	80	1.34

Force Table (Use for Airstroke™ actuator design)						
Assembly Height (in.)	Volume @ 80 PSIG (in ³)	Pounds Force				
		@20 PSIG	@40 PSIG	@60 PSIG	@80 PSIG	@100 PSIG
9.0	98	200	370	590	800	1,020
8.0	87	190	360	590	780	1,020
7.0	76	170	350	560	750	1,000
6.0	66	160	340	530	720	950
5.0	56	170	330	510	690	890