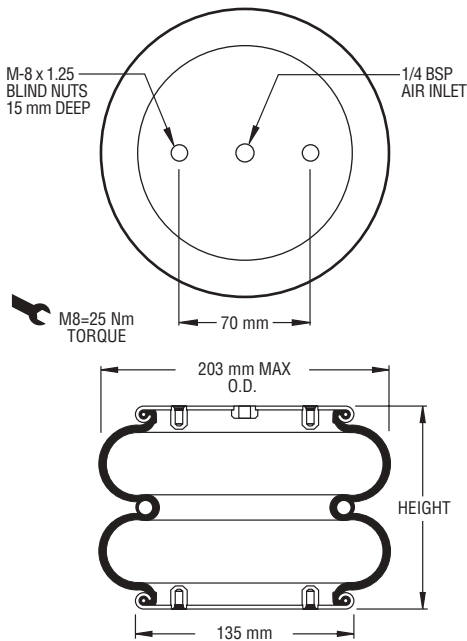


NOTE: All Assembly Order Numbers are for bead plate parts unless noted otherwise.

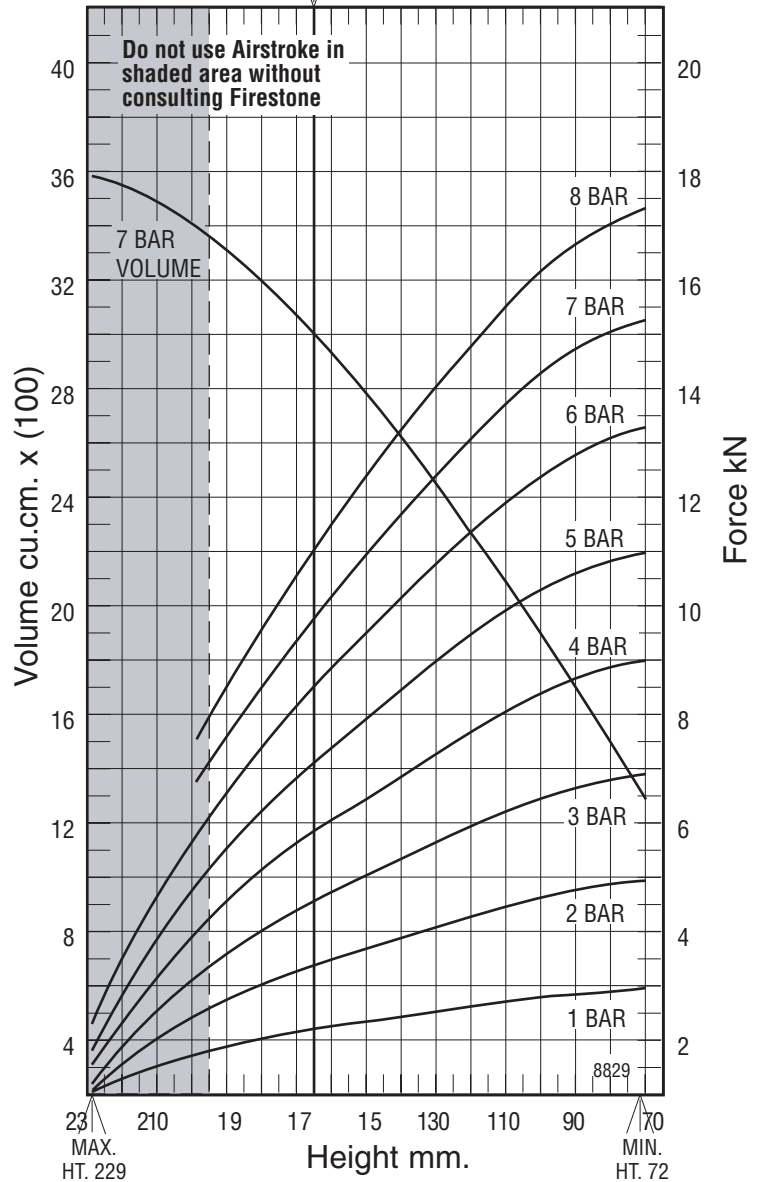
	Description	Assembly Order No.
Style 224	Blind nuts, 1/4 BSP	W01-M58-6400
Two Ply Bellows		
Assembly weight.....		2.27 kg.
Force to collapse to minimum height (@ 0 BAR)		62 N.



NOTE: A bead plate part is shown. This part is also available with bead rings. See pages 8-10 for explanation.

RECOMMENDED
AIRMOUNT
DESIGN HEIGHT
165 mm.

Static Data
8829



See page 12 for instructions on how to use chart.

Gauge Pressure (BAR)	Load (kN)	Spring Rate (kN/m)	Natural Frequency Hz
3	3.48	69	2.21
4	4.74	88	2.15
5	6.01	109	2.13
6	7.40	132	2.11
7	8.65	152	2.09

Assembly Height (mm)	Volume @ 7 BAR (cu cm)	EFF Area @ 7 BAR (cm sq)	kN Force				
			@ 3 BAR	@ 4 BAR	@ 5 BAR	@ 6 BAR	@ 7 BAR
180	3002	105	2.90	4.00	5.08	6.28	7.37
160	2730	129	3.64	4.95	6.28	7.73	9.03
140	2411	151	4.29	5.80	7.35	9.05	10.58
120	2063	172	4.87	6.61	8.35	10.27	12.02
100	1690	189	5.37	7.34	9.24	11.32	13.23
80	1300	201	5.76	7.85	9.88	12.05	14.04