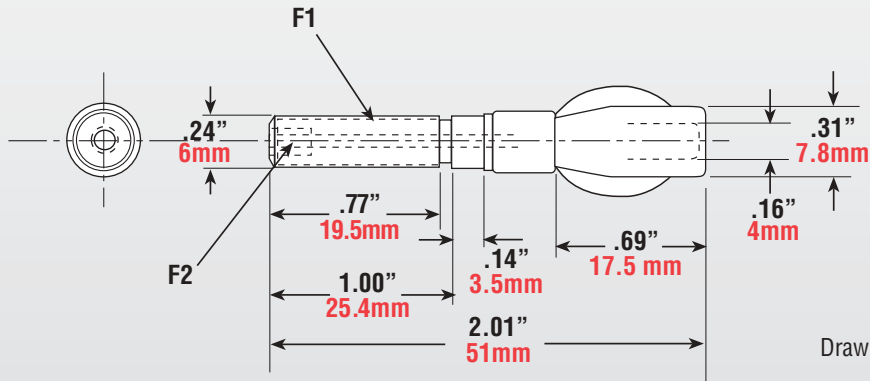


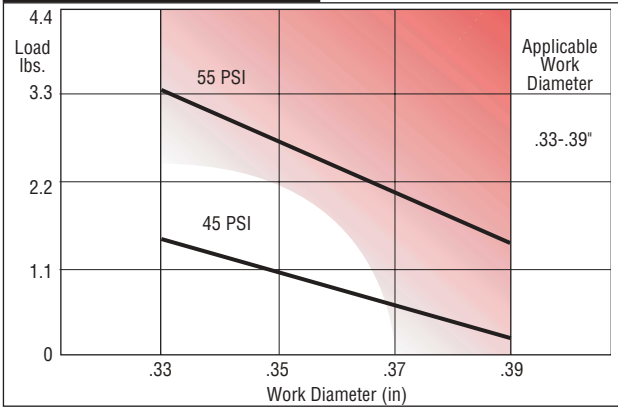
Assembly Order No.	Rubber Material	F1	F2	F3	Clamp Ring	Body Material	Max Restricted Pressure (psig/bar)	Max Unrestricted Pressure (psig/bar)
WP1-M58-0001	Neoprene	M6	M3	N/A	Stainless Steel	Stainless Steel	55 / 4	25 / 1.8



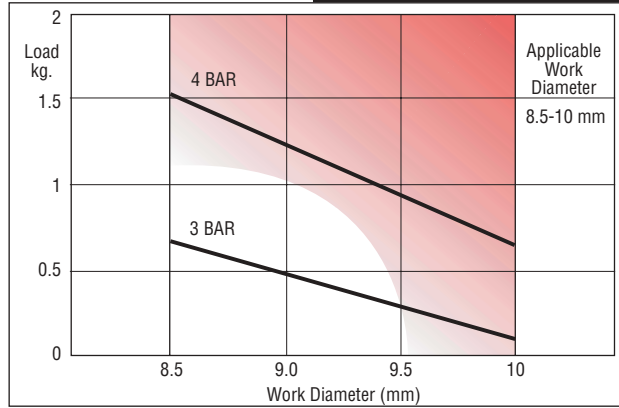
IMPERIAL

METRIC

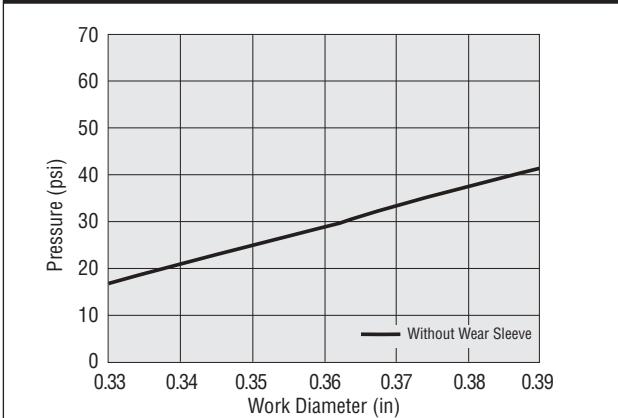
FORCE CURVES



FORCE CURVES



PRESSURE VS INFLATED DIAMETER



PRESSURE VS INFLATED DIAMETER

